

TECHNICAL BULLETIN: Gas Hob Cut-Outs: Spring Clips & Splash Backs

Dear Customer,

It is our standard operating procedure to install all appliances in accordance with the Manufacturer's Installation Instructions, so please be reminded that all hob cut-outs, and specifically gas hob cut-outs, must be both cut out to the correct size and also located in the correct position from the finished back wall surface, in accordance with the Manufacturers' Instructions.

The reason for this requirement is due to the following:

1. **Spring Clips:** Where gas hob appliances are supplied with Spring Clips to secure the hob into the cut-out, the cut out must be cut to the exact dimensions that are detailed in the MIs – for example a common Electrolux cut out size is 550mm Wide x 470mm Deep. If this cut out is not to the correct size, and there is potential movement of the gas hob within the cut-out after installation, we will not be able to connect the hob as this will form an unsafe installation.

If the hob is either supplied with or can be installed with an alternative clamp bracket, and these brackets are available to the installer at the point of installation and have been approved by the manufacturer as an alternative fixing method, the hob can be correctly secured in an oversized cut-out and connected to the gas service.

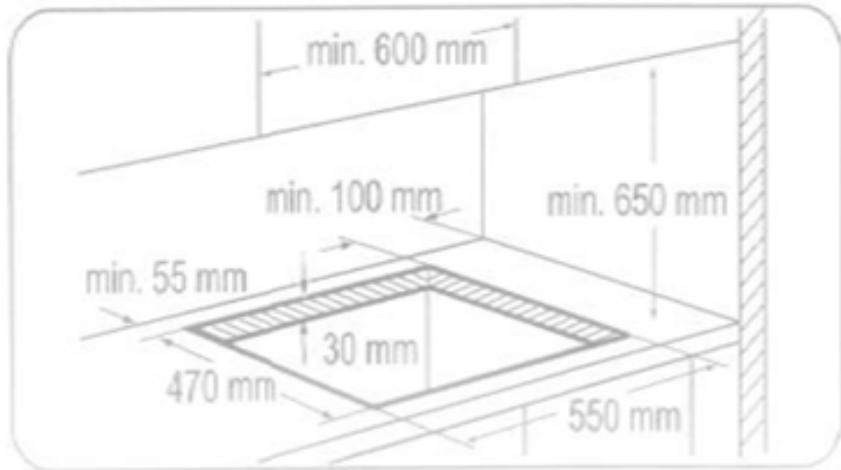
2. **Splashbacks:** Where either upstands, splashbacks or tiles are installed behind the gas hob, the correct allowance must be made to ensure that the measurement from the hob cut-out is a minimum 55mm from the cut-out to the finished back wall surface. If this dimension is less than 55mm we will not be able to connect the gas hob as this will form an unsafe installation.

Our installers will therefore adhere to the following installation procedure:

- **Prior to commencement check both the gas hob cut out size and position from the finished wall surface to ensure that this is correct and in accordance with the Manufacturer's Instructions. If either the cut-out size is incorrect, or the wall measurement is either incorrect or unfinished, please check with the Site Manager.**
- **Proceed to install the gas hob if the hob cut out is either correctly positioned and to the correct size or is correctly positioned and can be installed safely in an oversized cut out with the use of hob clamps, as supplied by the hob manufacturer.**
- **If the installation cannot be connected, then this must be noted on the Installation Record Sheet and the Site Manager must be informed.**

Please find detailed below a sample diagram detailing the required measurements for a typical Electrolux Gas Hob which will hopefully clarify the critical measurements that need to be checked as part of each gas hob installation:

Building In



Thank you in anticipation of your cooperation and assistance regarding the above.

Martin Appleyard
Operations Director

Owner:	Martin Appleyard
Filename:	Technical Bulletin (External) Ref No. 005 Gas Hob Cut Out Sizes – Spring Clip Installation. Gas Hob Cut Out Position – Splashback / Tile / Upstand clearance
Location of Document:	F:/Departments/H&S/5.Compliance/Technical Bulletin (External)
Date:	18-June-2018
Status:	Issued
Version:	1.0