

## TECHNICAL BULLETIN: Induction Hobs – Ventilation Clearance Requirements

Dear Customer,

With the increasing number of Induction Hobs being offered as an alternative to Gas, please note that there is a compliance issue with regard to an adequate ventilation requirement that you need to take account of from a technical design perspective when scoping and specifying your kitchen furniture, worktop and appliance requirements.

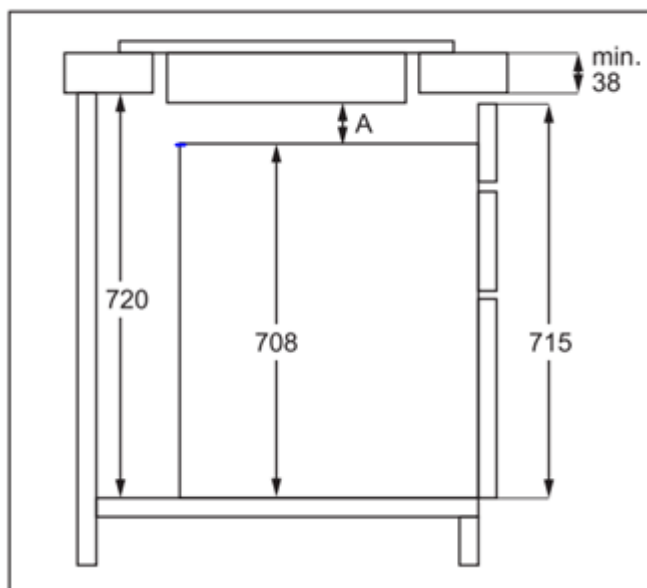
To ensure that your specification meets the requirements of the Manufacturers Instructions of the Hob Specification that you choose to specify for your developments please note the following:

- Please ensure that the worktop thickness specified is both compatible with the hob you have specified, and meets the ventilation requirements for the safe and efficient operation of the hob. This will vary depending on what the hob is being installed above.
- Manufacturers instructions will stipulate the clearance required and worktop thickness required for installing a hob above 1) a drawer pack 2) a single oven or 3) a double oven.
- We strongly recommend (if this has not already been reviewed at design stage) that you ensure your worktop manufacturer/KFM and sales team are aware of the hob specification.

In the event that the above compliance requirement is not adhered to, and the hob subsequently overheats and fails, the appliance manufacturer will not cover this under their appliance warranty.

To assist, please note that the measurement A in the diagram below will vary depending on your appliance specification, with a minimum ventilation clearance requirement typically ranging from between 6mm – 12mm. This will increase where you have an operational drawer and corresponding separation panel below the hob. The correct worktop thickness will also help to ensure that this clearance is achieved.

### Combination with double oven



We trust that the above requirements will be adopted in your design and specification process to eliminate any subsequent issues occurring further down the process, typically at either an installation, occupation or warranty failure stage, and thank you in anticipation of your cooperation and assistance regarding this matter.



Martin Appleyard  
Group Operations Director

<b>Owner:</b>	Martin Appleyard
<b>Filename:</b>	Technical Bulletin (External) Ref No. 011 – Induction Hob Ventilation
<b>Location of Document:</b>	F:/Departments/H&S/5.Compliance/Technical Bulletin (External)
<b>Date:</b>	21-October-2022
<b>Status:</b>	Issued
<b>Version:</b>	1.0