

## TECHNICAL BULLETIN: Hob Ventilation + Minimum Worktop Thickness Requirements

Dear Customer,

Please note that there have been some recent changes made by most Appliance Manufacturers to the minimum ventilation requirements required between the underside of their Gas and Induction Hobs, and the top of a built under oven appliance.

This is a compliance issue that you will both need to review for your existing developments, and will also need to take account of from a technical design perspective when scoping and specifying your future kitchen furniture, worktop and appliance requirements.

So to ensure that your specification meets the requirements of the Manufacturers Instructions of the Hob Specification that you choose to specify for your developments please note the following:

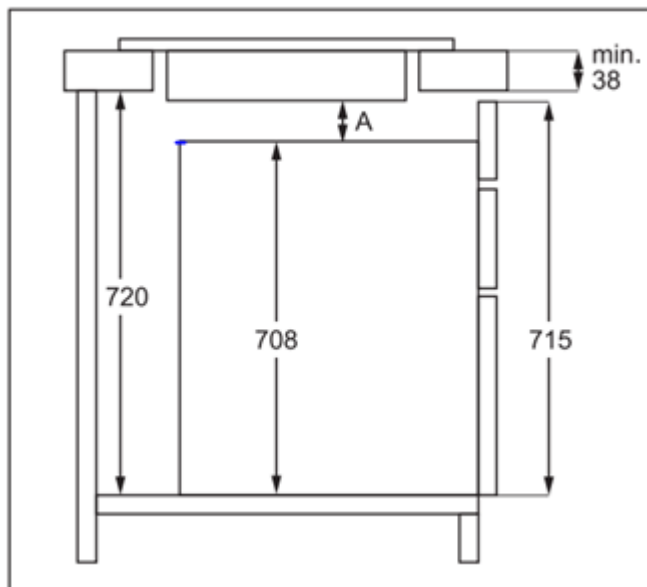
- Please ensure that the worktop thickness specified is both compatible with the hob you have specified, and meets the ventilation requirements for the safe and efficient operation of the hob. This will vary depending on what the hob is being installed above.
- Manufacturer's instructions will stipulate the clearance required and worktop thickness required for installing a hob above 1) a drawer pack 2) a single oven or 3) a double oven.
- In addition, following the recent changes that Appliance Manufacturers have made to their Installation Instructions, we strongly recommend that you undertake a review of the current hob ventilation requirements on your current live sites to ensure that your appliance specification is still compliant with your worktop manufacturer/KFM, and that you then make any necessary changes at the earliest opportunity, if required.
- We would also strongly recommend (if this has not already been reviewed at design stage) that for all future developments that you ensure your worktop manufacturer/KFM and sales team are aware of the hob specification requirements, particularly with regard to any upgrades that you may offer to your house purchasers.

In the event that the above compliance requirement is not adhered to, and the hob subsequently overheats and fails, the appliance manufacturer will not cover this under their appliance warranty.

To assist, please note that the measurement A in the diagram below will vary depending on your appliance specification, with a minimum ventilation clearance requirement typically ranging from between 6mm – 12mm. This will increase where you have an operational drawer and corresponding separation panel below the hob. The correct worktop thickness will also help to ensure that this clearance is achieved.

The following "Combination with a Double Oven" will apply where either a Gas or Induction hob is being installed above a Double Oven.

## Combination with double oven



We trust that the above requirements will be adopted in your design and specification process to eliminate any subsequent issues occurring further down the process, typically at either an installation, occupation or warranty failure stage, and thank you in anticipation of your cooperation and assistance regarding this matter.

Martin Appleyard  
Group Operations Director

<b>Owner:</b>	Martin Appleyard
<b>Filename:</b>	Technical Bulletin (External) Ref No. 012– Hob Ventilation + Minimum Worktop thickness
<b>Location of Document:</b>	F:/Departments/H&S/5.Compliance/Technical Bulletin (External)
<b>Date:</b>	1-November-2022
<b>Status:</b>	Issued
<b>Version:</b>	1.0